

COMMENTS / NOTES

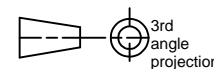
Suitable for M5 or 10-32UNF (Not Supplied) socket cap screws for mounting to 19" rack.

Supplied with 4 x 6-32 UNC countersunk screws for mounting 5 slot receiver.



WWW.MACPANEL.COM

DRAWN BY DATE 18/08/2008



SHEET 1 OF 2

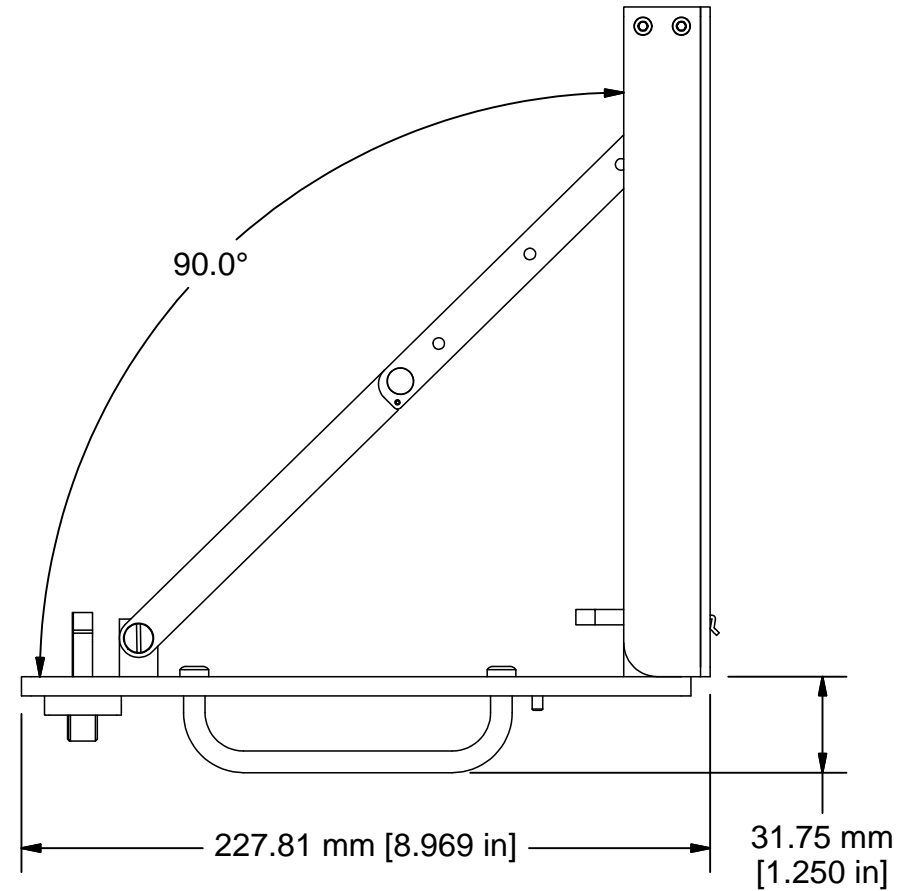
DESCRIPTION

TITAN Hinged Kit, 5 Slot, 5U to 19" Rack

DRAWING NO.

561355-CU

REVISION



COMMENTS / NOTES

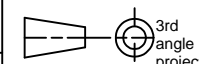
Suitable for M5 or 10-32UNF (Not Supplied) socket cap screws for mounting to 19" rack.

Supplied with 4 x 6-32 UNC countersunk screws for mounting 5 slot receiver.



WWW.MACPANEL.COM

DRAWN BY DATE 18/08/2008



SHEET 2 OF 2

DESCRIPTION

TITAN Hinged Kit, 5 Slot, 5U to 19" Rack

DRAWING NO.

561355-CU

REVISION