

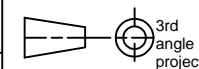
COMMENTS / NOTES

Supplied with 4 x 6-32 UNC countersunk screws for fixing to mounting / hinge plate.



WWW.MACPANEL.COM

DRAWN BY DATE  
18/08/2008



SHEET 1 OF 3

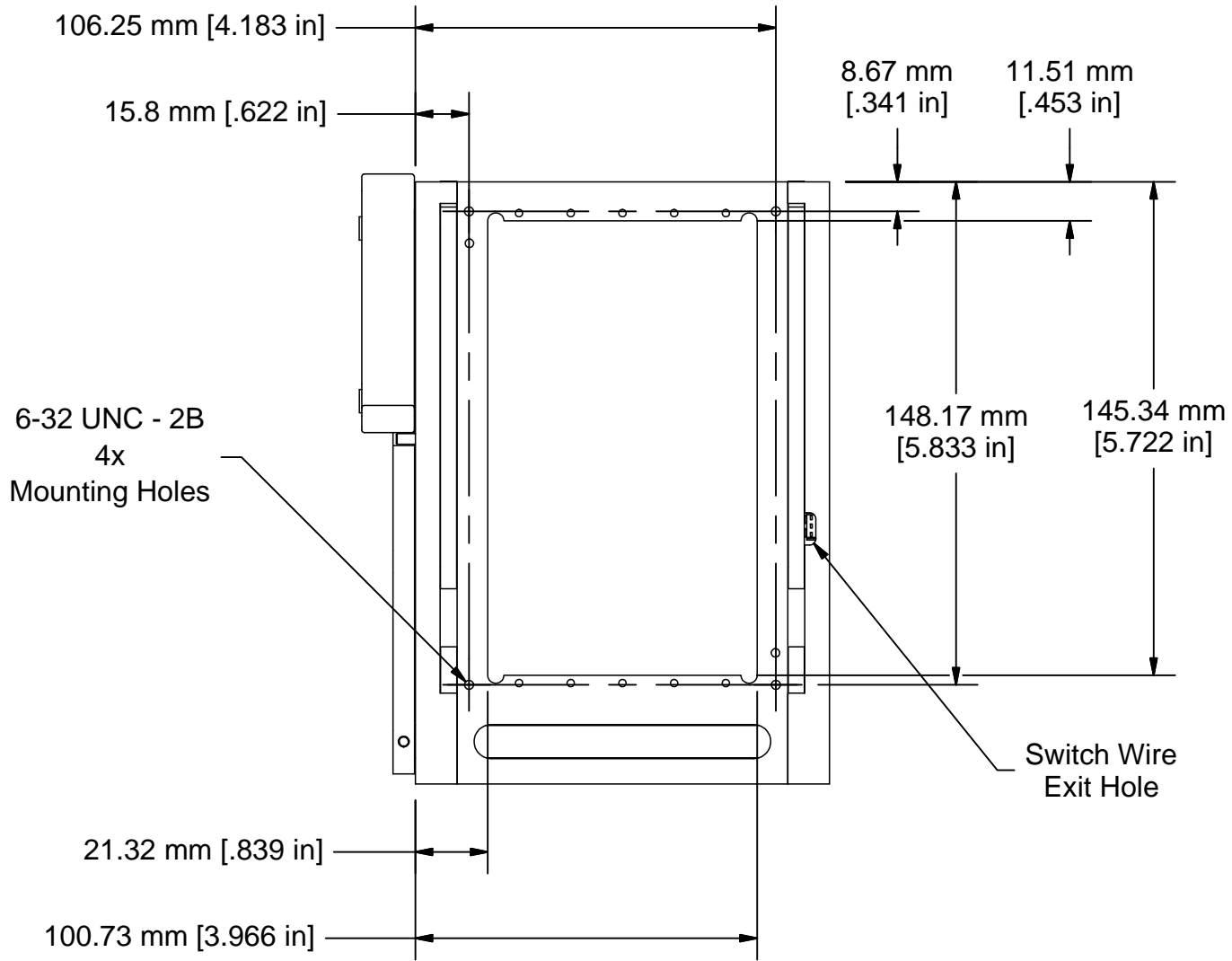
DESCRIPTION

Receiver, 5 Slot, TITAN.

DRAWING NO.

561352-CU

REVISION



COMMENTS / NOTES

Mounting hole positions (screws supplied)

MAC-PANEL

WWW.MACPANEL.COM

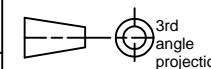
DRAWN BY

DATE

18/08/2008

DESCRIPTION

Receiver, 5 Slot, TITAN.



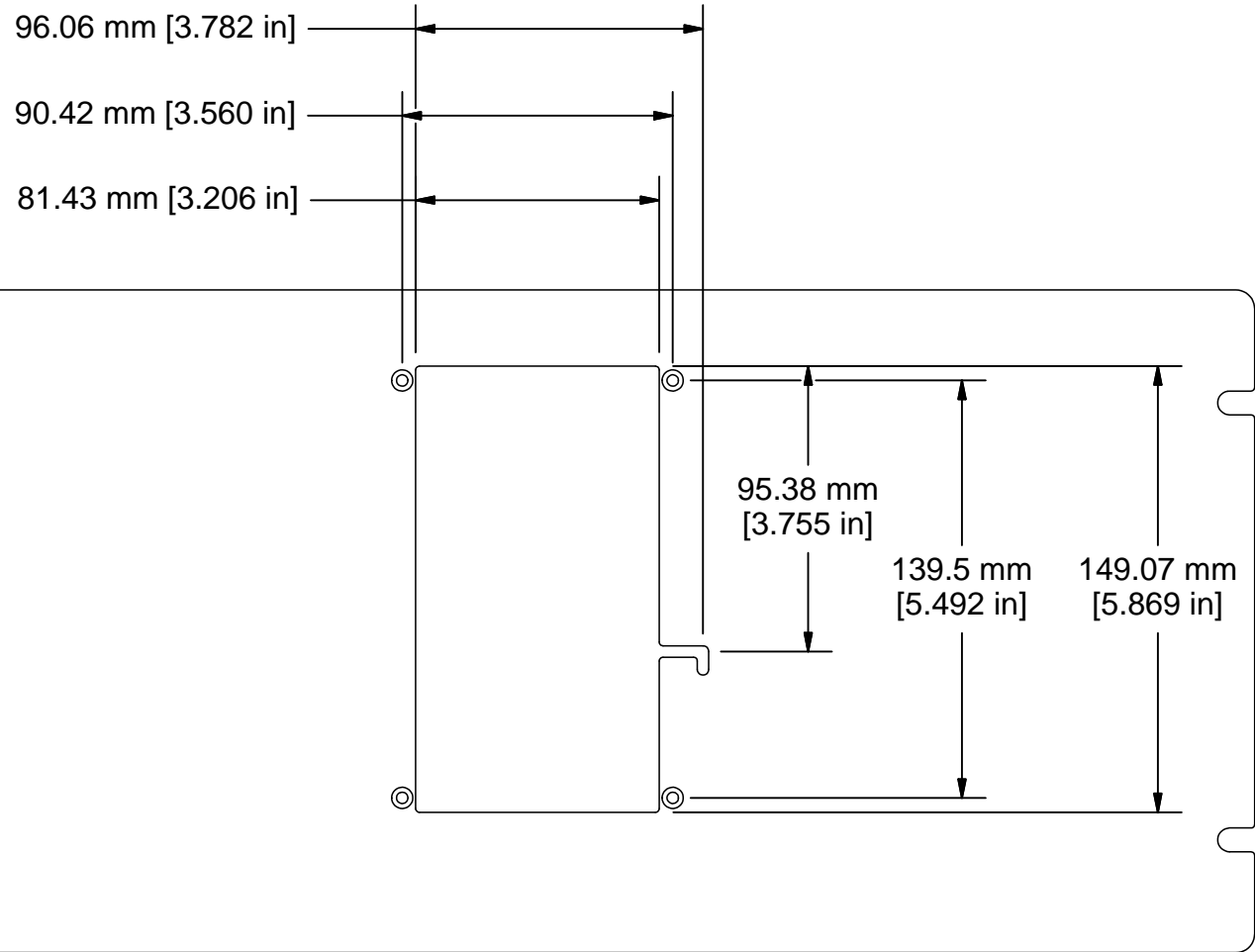
DRAWING NO.

561352-CU

REVISION

SHEET

2 OF 3



COMMENTS / NOTES

Cutout for mounting 5 slot receiver.

MAC-PANEL

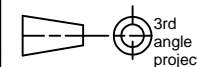
WWW.MACPANEL.COM

DRAWN BY

DATE

18/08/2008

DESCRIPTION



DRAWING NO.

561365-CU

REVISION

SHEET

3 OF 3