

COMMENTS / NOTES

Supplied with 8 x 10-32 UNF countersunk screws for fixing to mounting / hinge plate.

MAC-PANEL

WWW.MACPANEL.COM

DRAWN BY

DATE 18/08/2008

3rd angle projection

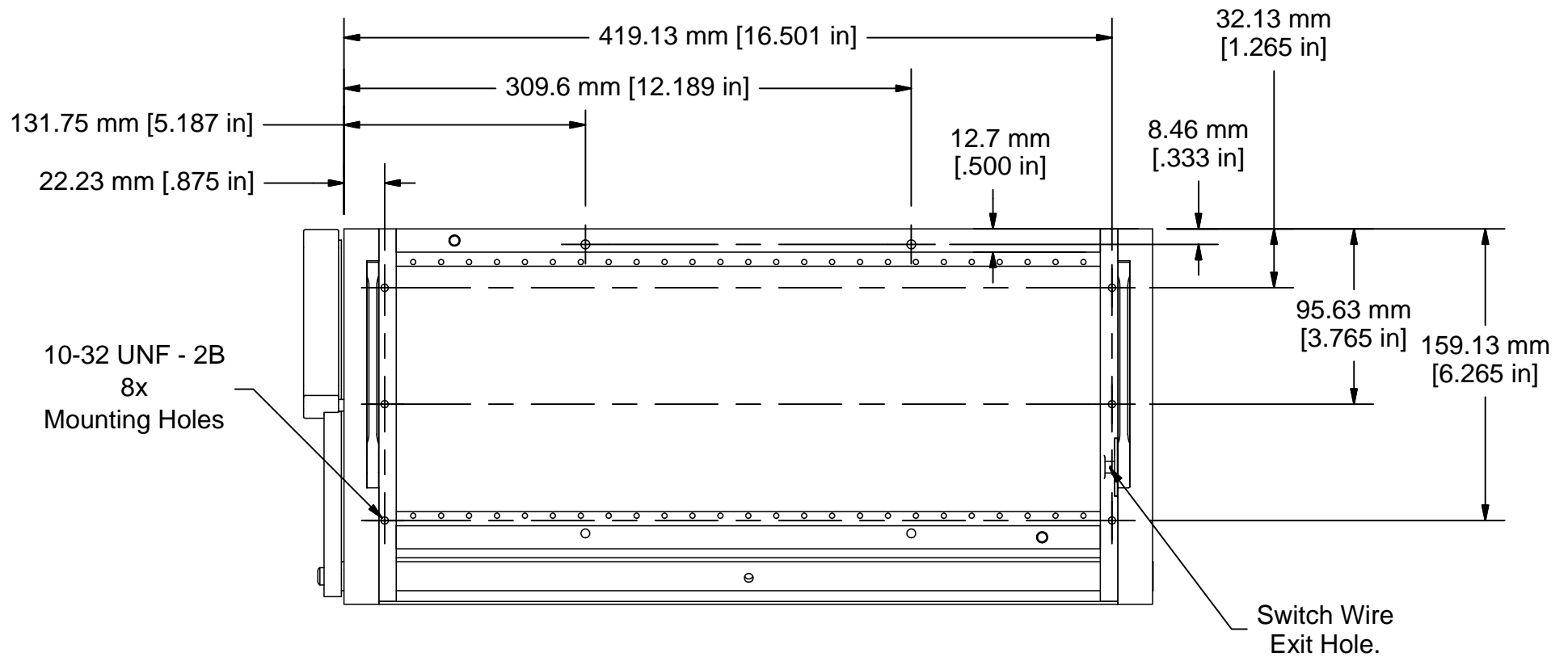
SHEET 1 OF 3

DESCRIPTION

Receiver, 25 Slot, TITAN

DRAWING NO. 561351-CU

REVISION



COMMENTS / NOTES

Mounting hole positions (screws supplied)

MAC-PANEL

WWW.MACPANEL.COM

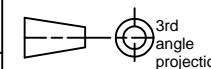
DRAWN BY

DATE

18/08/2008

DESCRIPTION

Receiver, 25 Slot, TITAN



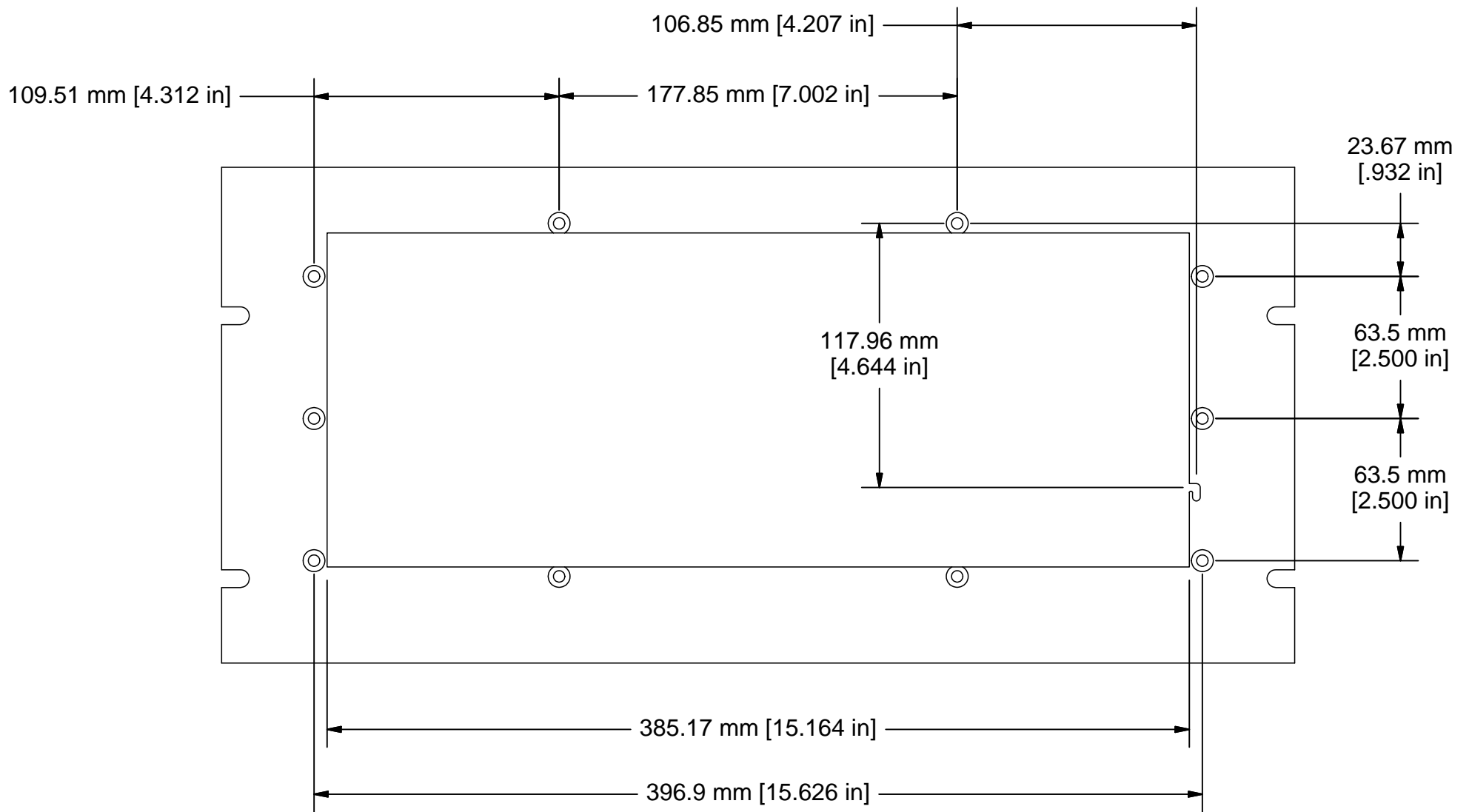
DRAWING NO.

561351-CU

REVISION

SHEET

2 OF 3



COMMENTS / NOTES

Cutout for mounting 2 slot receiver

MAC-PANEL

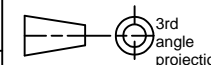
WWW.MACPANEL.COM

DRAWN BY

DATE

18/08/2008

DESCRIPTION



DRAWING NO.

561368-CU

REVISION

SHEET

3 OF 3