

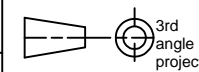
COMMENTS / NOTES

Supplied with 4 x 6-32 UNC countersunk screws for fixing to mounting / hinge plate.

MAC-PANEL

WWW.MACPANEL.COM

DRAWN BY DATE 18/08/2008



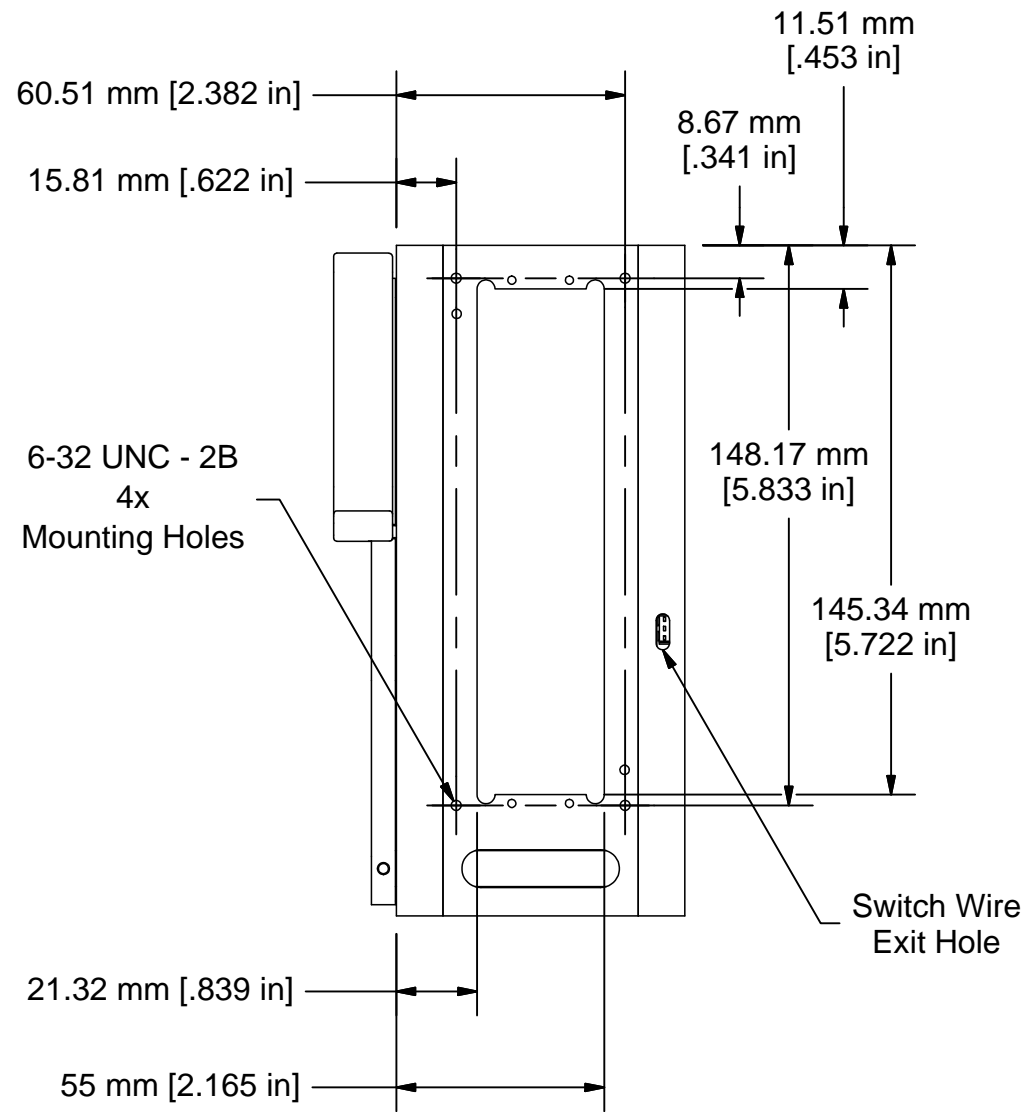
SHEET 1 OF 3

DESCRIPTION

Receiver, 2 Slot, TITAN

DRAWING NO. REVISION

561350-CU



COMMENTS / NOTES

Mounting hole positions (screws supplied)

MAC-PANEL

WWW.MACPANEL.COM

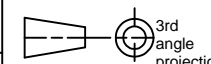
DRAWN BY

DATE

18/08/2008

DESCRIPTION

Receiver, 2 Slot, TITAN



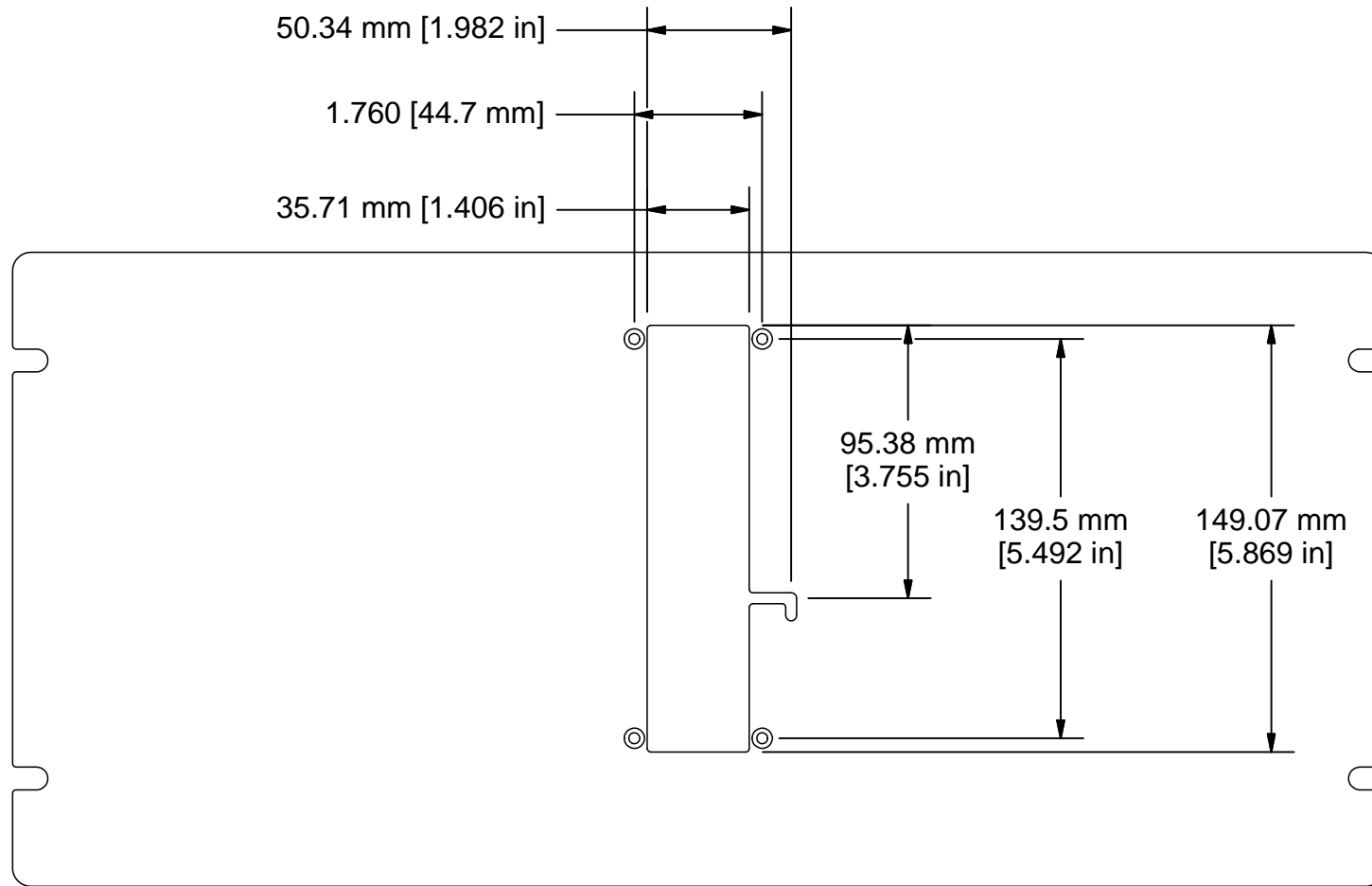
DRAWING NO.

561350-CU

REVISION

SHEET

2 OF 3



COMMENTS / NOTES

Cutout for mounting 2 slot receiver.

MAC-PANEL

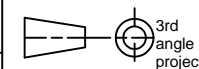
WWW.MACPANEL.COM

DRAWN BY

DATE

18/08/2008

DESCRIPTION



3rd angle projection

DRAWING NO.

561364-CU

REVISION

SHEET

3 OF 3