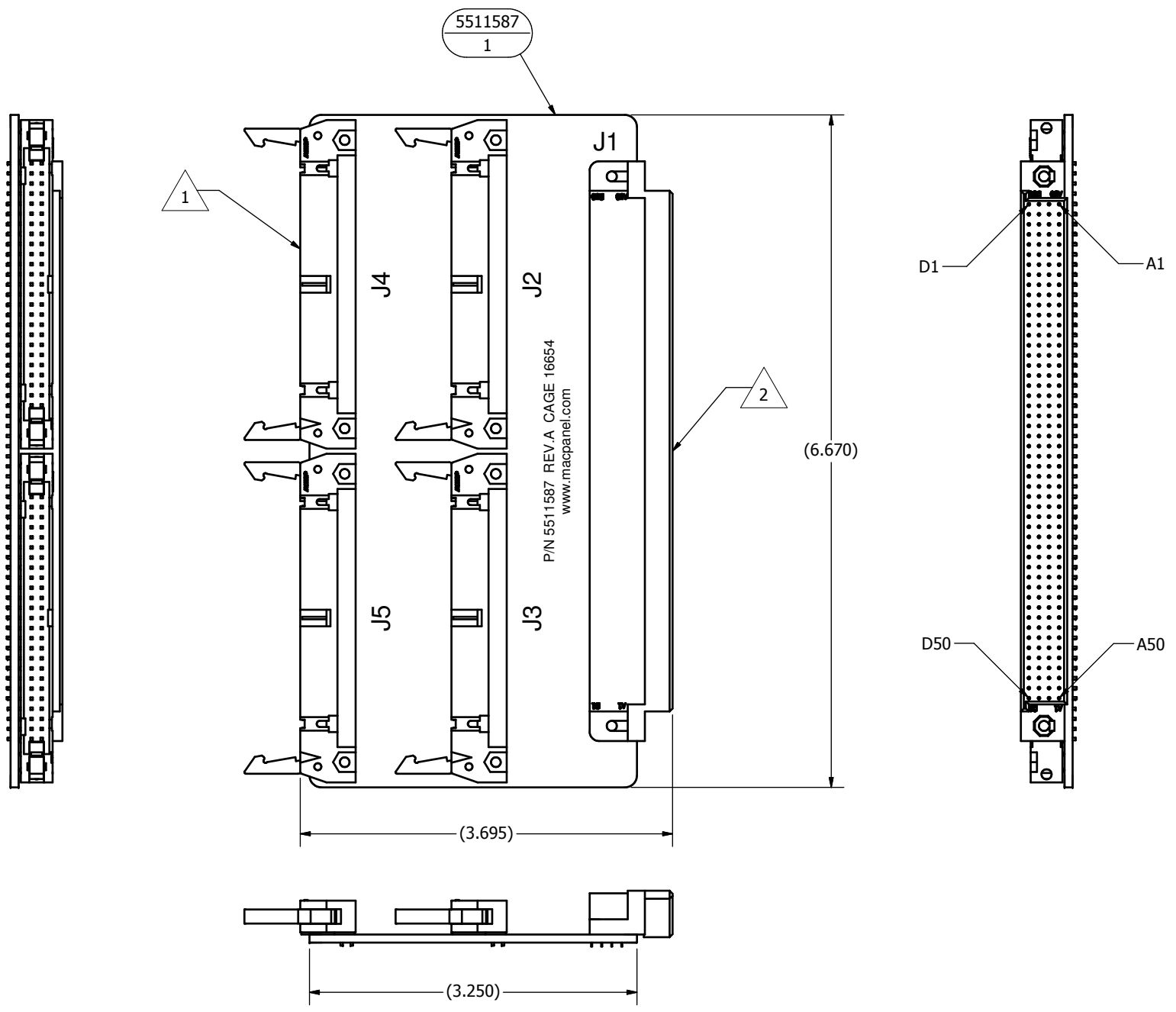


REVISION HISTORY			
REV	DESCRIPTION	DATE	APPROVED
A	RELEASE FOR PRODUCTION	5/23/2007	WKM

NOTES:

- CONNECTOR, MAC PANEL P/N 5210100, AMP P/N 1-499786-0.
- CONNECTOR MAC PANEL P/N M55329037, AMP P/N 5-532903-7.



BALLOON LEGEND	
PART NUMBER	QTY

MAC PANEL PROPRIETARY
 This document may contain confidential and proprietary information that is the property of MAC Panel Company that may not be disclosed to, or duplicated for others except as authorized by MAC Panel Company.

TOLERANCES (UNLESS OTHERWISE SPECIFIED)

<u>SHEET METAL</u>	<u>MACHINED</u>
ANGLES ± 1°	ANGLES ± 1°
.XX ± .03	.XX ± .01
.XXX ± .010	.XXX ± .005
	.XXXX ± .0005

REMOVE ALL BURRS AND BREAK SHARP EDGES.

Third Angle Projection

DRAWN BY	WKM	5/23/2007
ENGINEERING	M4	5/23/2007
OPERATIONS	C.BOGGS	5/23/2007
MANUFACTURING	R.SPIVEY	5/23/2007
ASSEMBLY		
MATERIAL USED	-	

MAC PANEL COMPANY - HIGH POINT, NC		
TITLE		
PCB, 200 PIN, ITA		
SIZE	DWG NO	
C	561113	
SCALE	1/1	SPN: SIMILAR P/N
		SHEET 1 OF 1

J1	J2	J1	J2
B 1	50	A 1	49
B 2	48	A 2	47
B 3	46	A 3	45
B 4	44	A 4	43
B 5	42	A 5	41
B 6	40	A 6	39
B 7	38	A 7	37
B 8	36	A 8	35
B 9	34	A 9	33
B 10	32	A 10	31
B 11	30	A 11	29
B 12	28	A 12	27
B 13	26	A 13	25
B 14	24	A 14	23
B 15	22	A 15	21
B 16	20	A 16	19
B 17	18	A 17	17
B 18	16	A 18	15
B 19	14	A 19	13
B 20	12	A 20	11
B 21	10	A 21	9
B 22	8	A 22	7
B 23	6	A 23	5
B 24	4	A 24	3
B 25	2	A 25	1

J1	J4	J1	J4
D 1	50	C 1	49
D 2	48	C 2	47
D 3	46	C 3	45
D 4	44	C 4	43
D 5	42	C 5	41
D 6	40	C 6	39
D 7	38	C 7	37
D 8	36	C 8	35
D 9	34	C 9	33
D 10	32	C 10	31
D 11	30	C 11	29
D 12	28	C 12	27
D 13	26	C 13	25
D 14	24	C 14	23
D 15	22	C 15	21
D 16	20	C 16	19
D 17	18	C 17	17
D 18	16	C 18	15
D 19	14	C 19	13
D 20	12	C 20	11
D 21	10	C 21	9
D 22	8	C 22	7
D 23	6	C 23	5
D 24	4	C 24	3
D 25	2	C 25	1

J1	J3	J1	J3
B 26	50	A 26	49
B 27	48	A 27	47
B 28	46	A 28	45
B 29	44	A 29	43
B 30	42	A 30	41
B 31	40	A 31	39
B 32	38	A 32	37
B 33	36	A 33	35
B 34	34	A 34	33
B 35	32	A 35	31
B 36	30	A 36	29
B 37	28	A 37	27
B 38	26	A 38	25
B 39	24	A 39	23
B 40	22	A 40	21
B 41	20	A 41	19
B 42	18	A 42	17
B 43	16	A 43	15
B 44	14	A 44	13
B 45	12	A 45	11
B 46	10	A 46	9
B 47	8	A 47	7
B 48	6	A 48	5
B 49	4	A 49	3
B 50	2	A 50	1

J1	J5	J1	J5
D 26	50	C 26	49
D 27	48	C 27	47
D 28	46	C 28	45
D 29	44	C 29	43
D 30	42	C 30	41
D 31	40	C 31	39
D 32	38	C 32	37
D 33	36	C 33	35
D 34	34	C 34	33
D 35	32	C 35	31
D 36	30	C 36	29
D 37	28	C 37	27
D 38	26	C 38	25
D 39	24	C 39	23
D 40	22	C 40	21
D 41	20	C 41	19
D 42	18	C 42	17
D 43	16	C 43	15
D 44	14	C 44	13
D 45	12	C 45	11
D 46	10	C 46	9
D 47	8	C 47	7
D 48	6	C 48	5
D 49	4	C 49	3
D 50	2	C 50	1