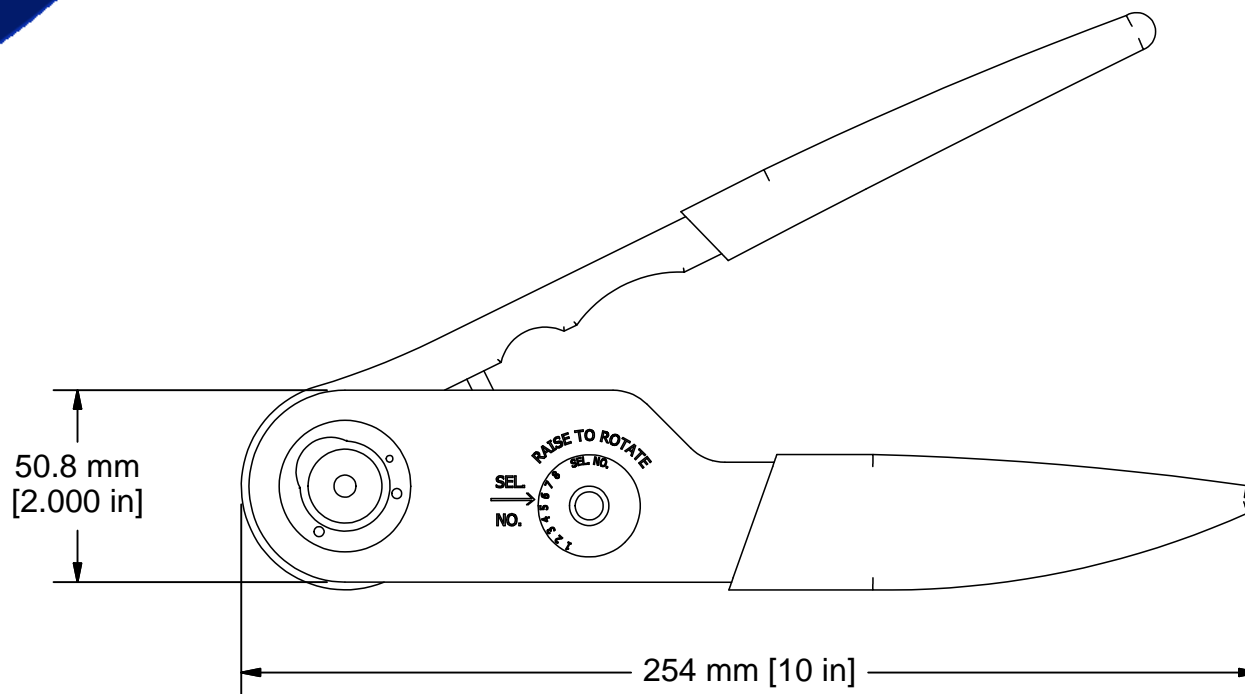




Used with positioner numbers :

- 452202
- 452205
- 452206
- 452220
- 452221



COMMENTS / NOTES

MAC-PANEL

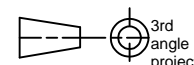
WWW.MACPANEL.COM

DRAWN BY

DATE
8/18/2008

DESCRIPTION

AF8 Crimptool, M2250/1-01



3rd
angle
projection

DRAWING NO.

452200-CU

REVISION

SHEET

1 OF 1