

COMMENTS / NOTES

MAC-PANEL

WWW.MACPANEL.COM

DRAWN BY
shodnett

DATE
2/28/2014

Third Angle
Projection

DESCRIPTION

Hinge Kit, 4 Bar, NGATS

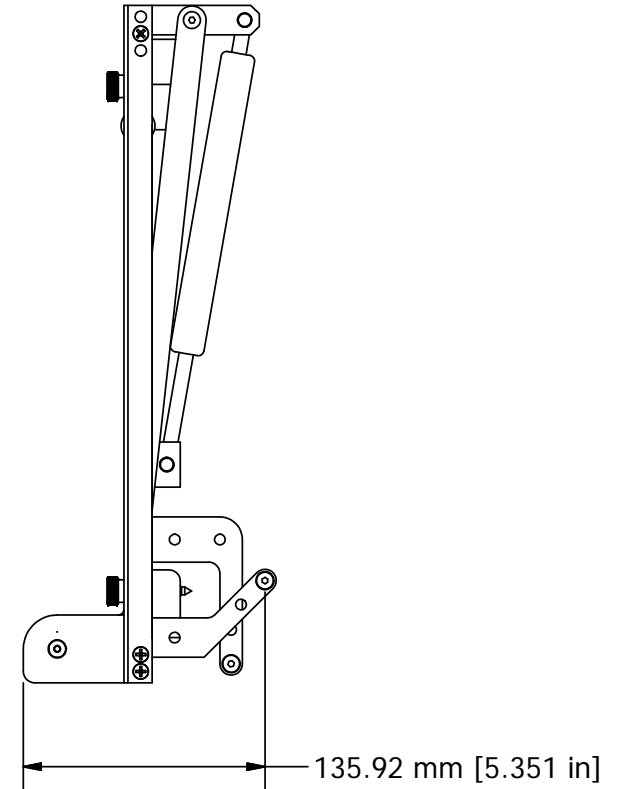
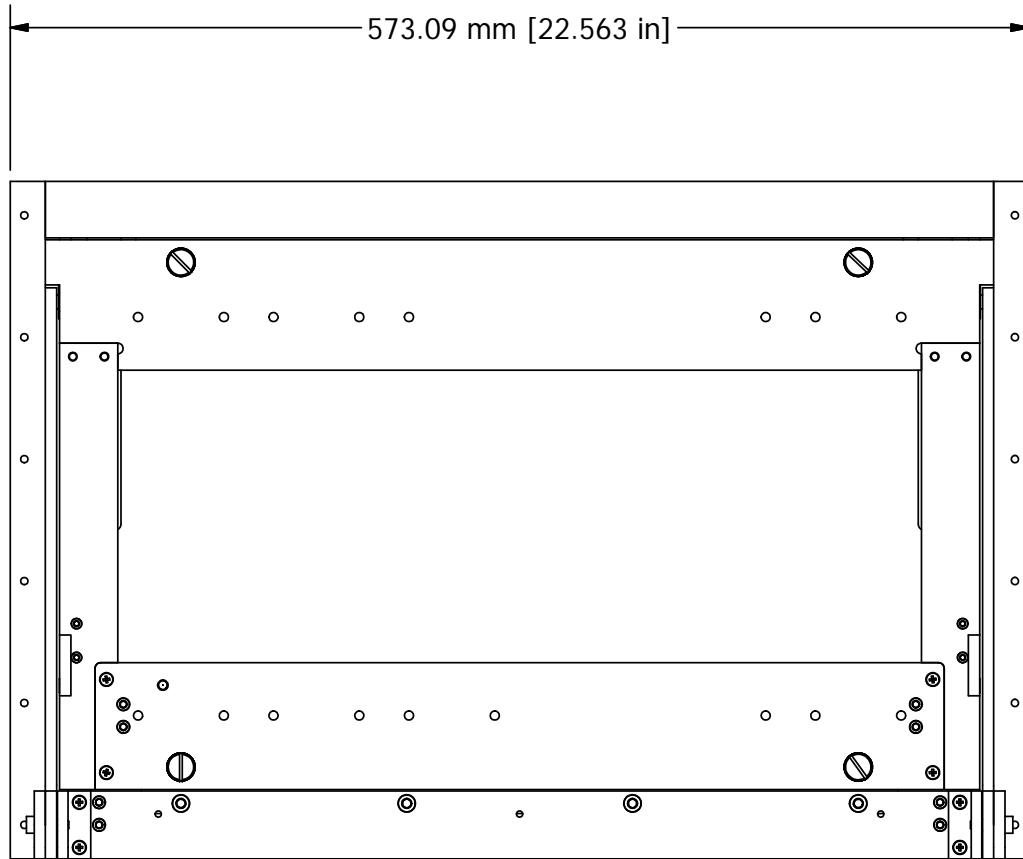
DRAWING NO.

40-170269-03-CU

REVISION

G

SHEET
1 OF 3



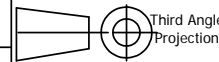
COMMENTS / NOTES

MAC-PANEL

WWW.MACPANEL.COM

DRAWN BY
shodnett

DATE
2/28/2014



DESCRIPTION

Hinge Kit, 4 Bar, NGATS

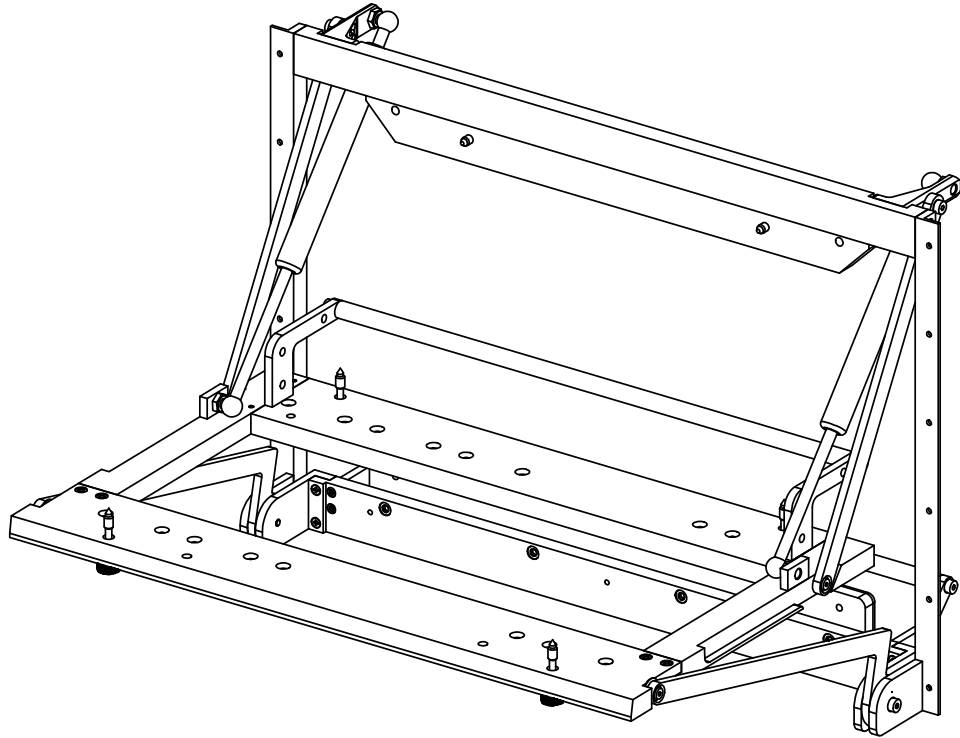
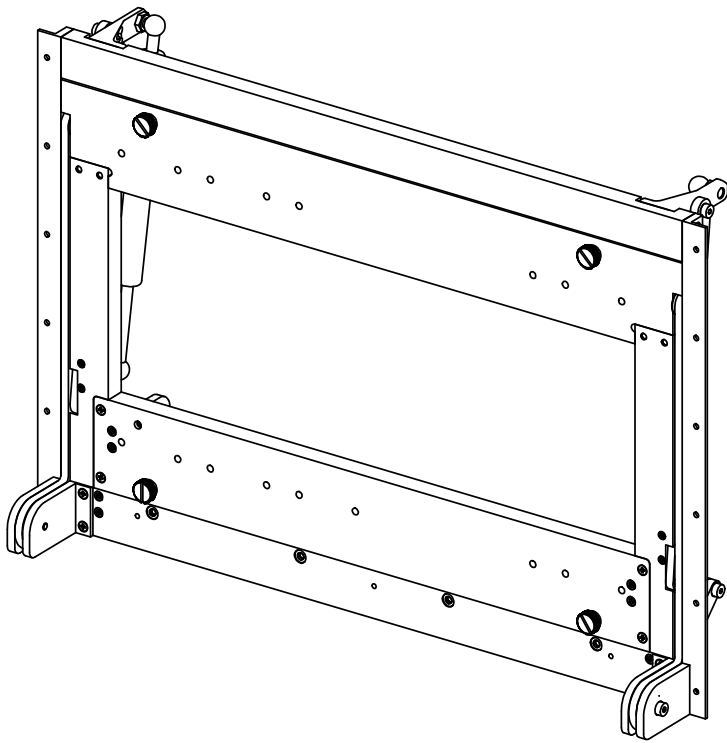
DRAWING NO.

40-170269-03-CU

REVISION

G

SHEET
2 OF 3



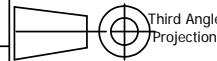
COMMENTS / NOTES

MAC-PANEL

WWW.MACPANEL.COM

DRAWN BY
shodnett

DATE
2/28/2014



Third Angle
Projection

DESCRIPTION

Hinge Kit, 4 Bar, NGATS

DRAWING NO.

40-170269-03-CU

REVISION

G

SHEET
3 OF 3