

COMMENTS / NOTES

MACPANEL

WWW.MACPANEL.COM

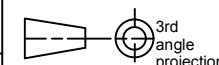
DRAWN BY

DATE

14/03/2011

DESCRIPTION

Hinged Mounting Kit, Receiver,
18 Slot, 9U



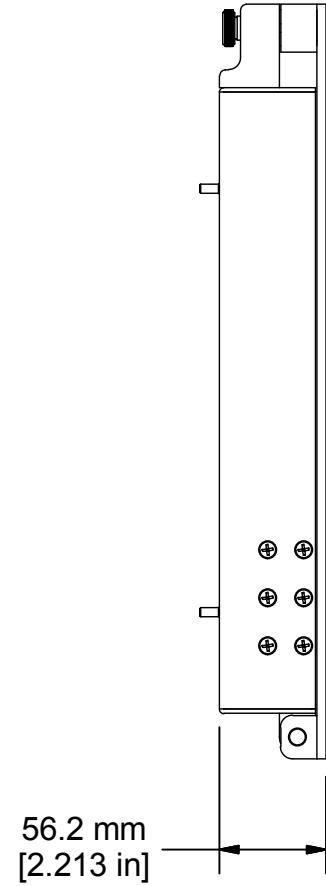
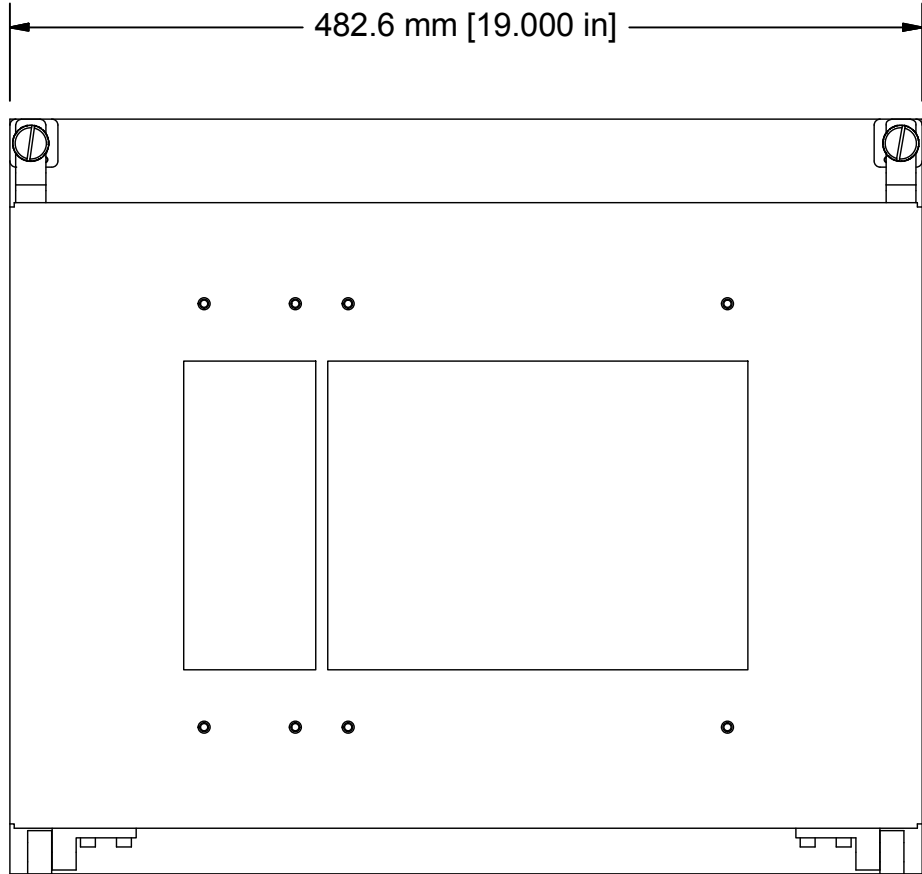
DRAWING NO.

40-170180-01-CU

REVISION

SHEET

1 OF 4



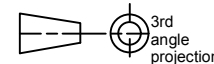
COMMENTS / NOTES

MACPANEL

WWW.MACPANEL.COM

DRAWN BY

DATE
14/03/2011



3rd
angle
projection

DESCRIPTION

Hinged Mounting Kit, Receiver,
18 Slot, 9U

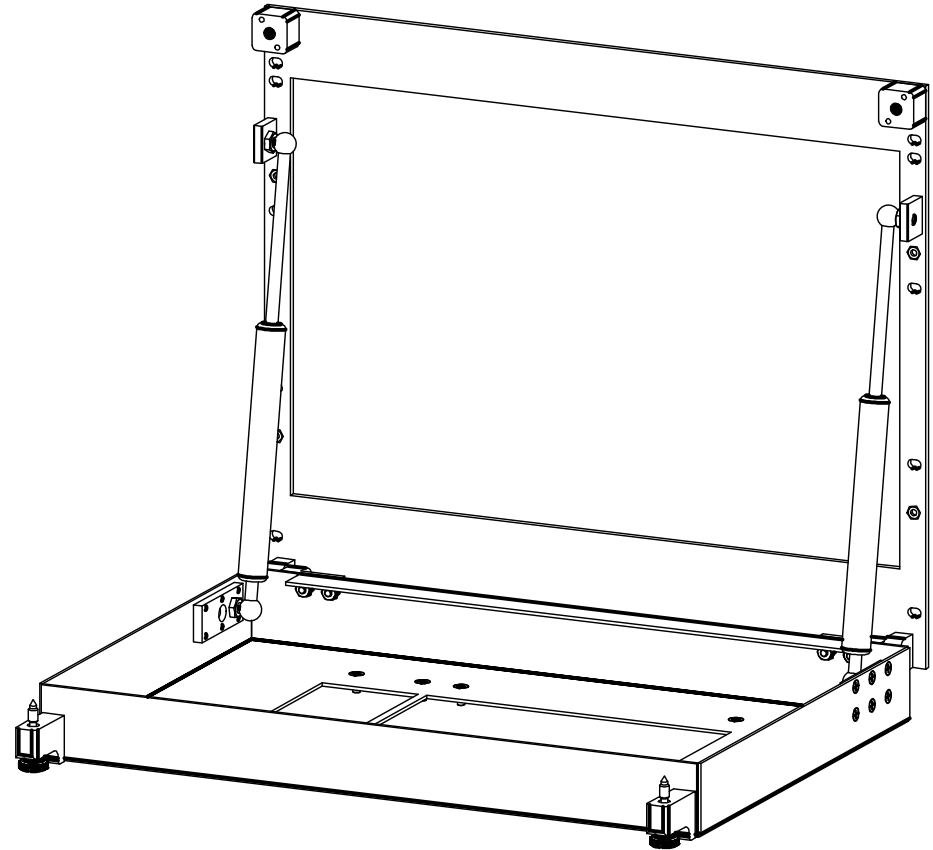
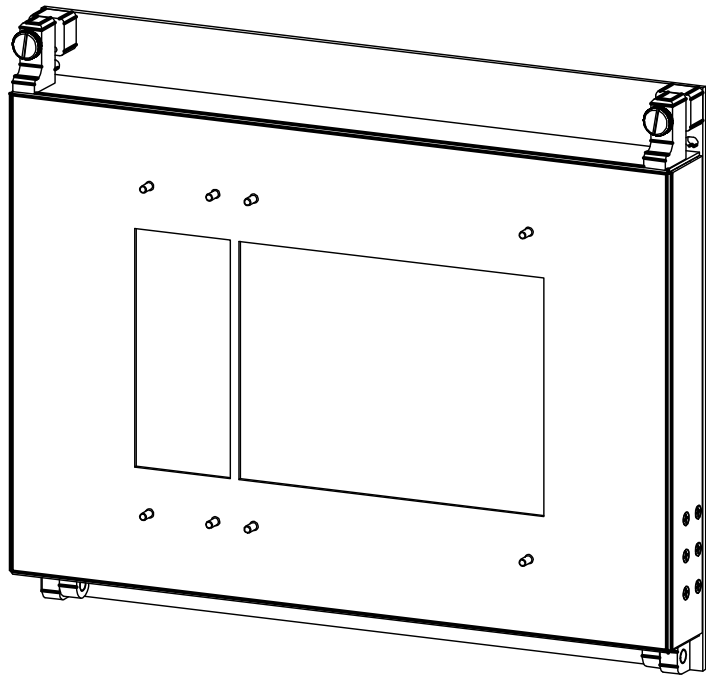
DRAWING NO.

40-170180-01-CU

REVISION

SHEET

2 OF 4



COMMENTS / NOTES

MACPANEL

WWW.MACPANEL.COM

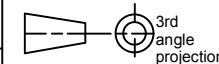
DRAWN BY

DATE

14/03/2011

DESCRIPTION

Hinged Mounting Kit, Receiver,
18 Slot, 9U



3rd
angle
projection

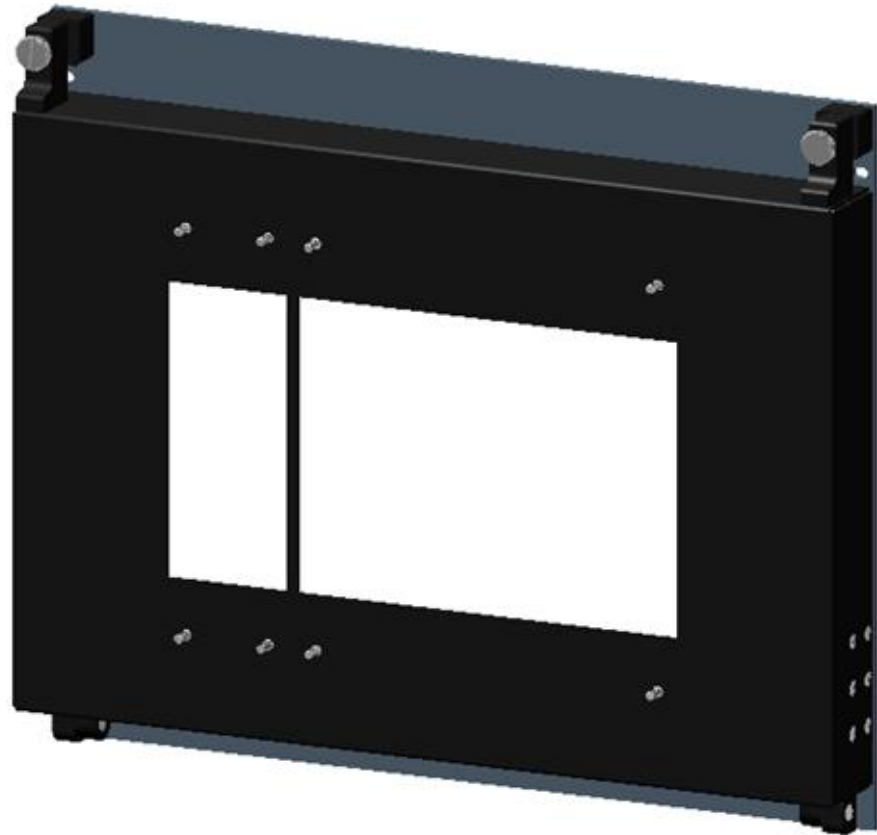
DRAWING NO.

40-170180-01-CU

REVISION

SHEET

3 OF 4

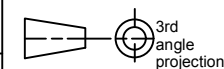


COMMENTS / NOTES

MACPANEL

WWW.MACPANEL.COM

DRAWN BY DATE 14/03/2011



SHEET 4 OF 4

DESCRIPTION Hinged Mounting Kit, Receiver, 18 Slot, 9U

DRAWING NO. -CU REVISION