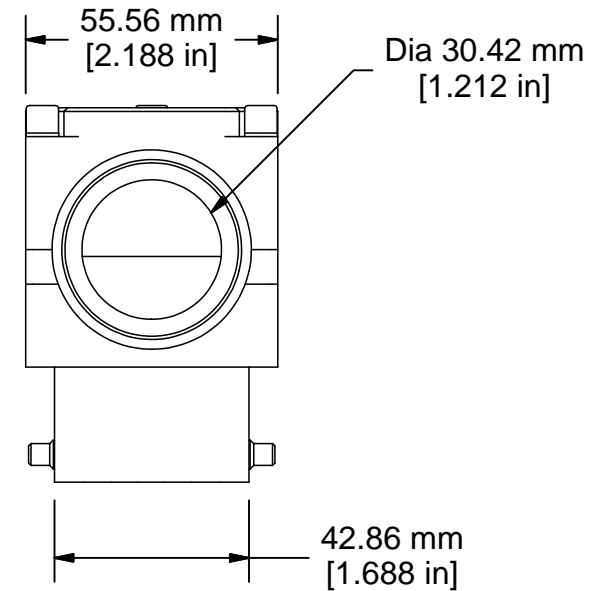
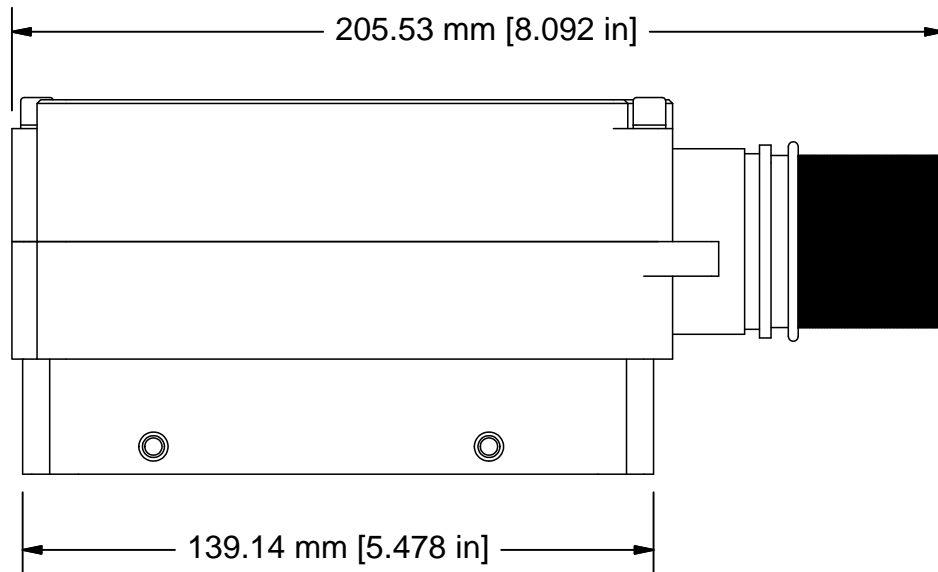
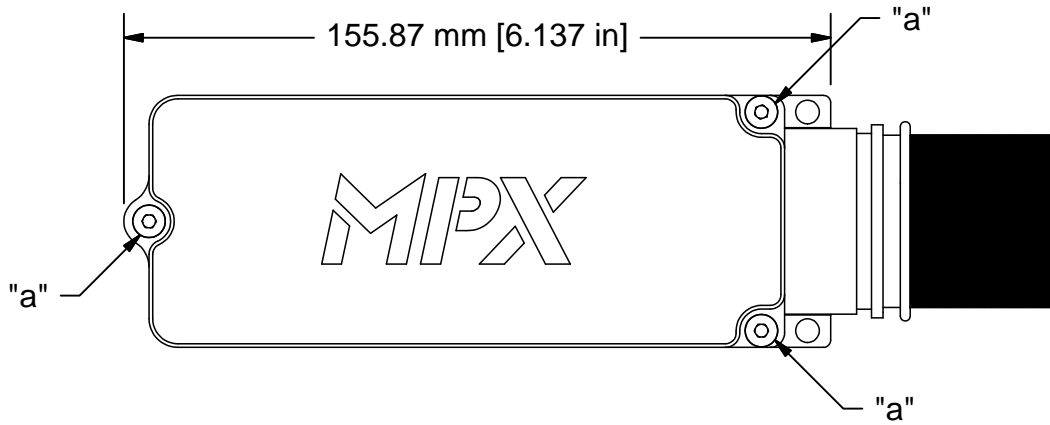


Replaces, 302000-18.



COMMENTS / NOTES

Module fitting procedure:

Top is removed by unscrewing 3 screws ("a") with a 7/64" Hex key.  
The ITA module can then be fastened into position, wires routed through the clamp mechanism and the top replaced.



WWW.MACPANEL.COM

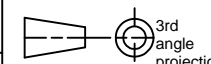
DRAWN BY

DATE

11/1/2011

DESCRIPTION

ITA Assy, MPX, INT / EXT Strain Relief, Aluminium.



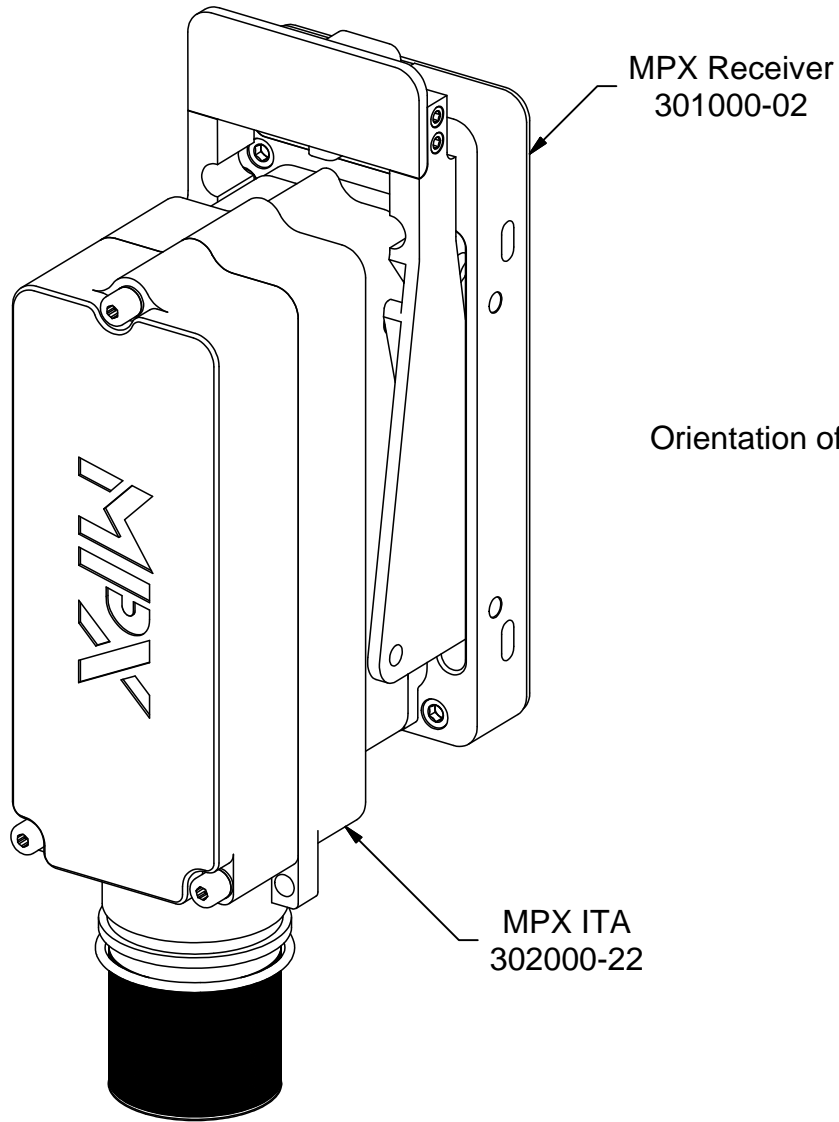
DRAWING NO.

302000-22-CU

REVISION

SHEET

1 OF 2



MPX Receiver  
301000-02

Orientation of 302000-22 ITA in 301000-02 MPX Receiver.

MPX ITA  
302000-22

COMMENTS / NOTES

MAC-PANEL

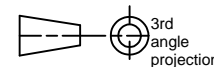
WWW.MACPANEL.COM

DRAWN BY

DATE

11/1/2011

DESCRIPTION



3rd  
angle  
projection

DRAWING NO.

-CU

REVISION

SHEET

2 OF 2