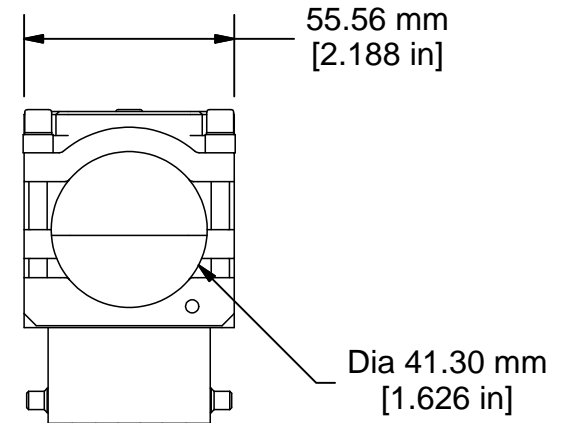
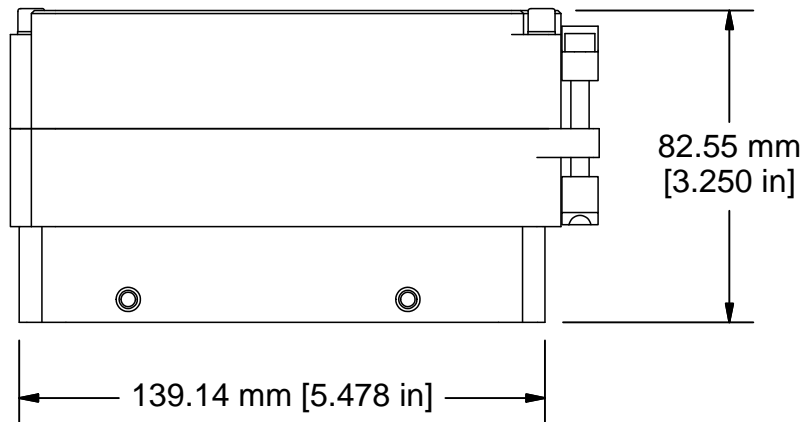
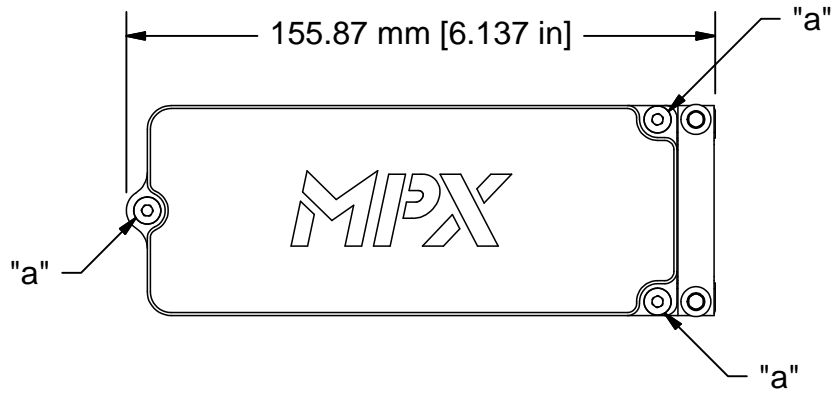


Replaces, 302000-12, 302000-14 and 302000-16



COMMENTS / NOTES

Module fitting procedure:

Top is removed by unscrewing 3 screws ("a") with a $\frac{7}{64}$ " Hex key.
The ITA module can then be fastened into position, wires routed through the clamp mechanism and the top replaced.

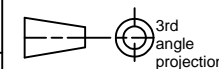


WWW.MACPANEL.COM

DRAWN BY

DATE

11/1/2011



SHEET

1 OF 2

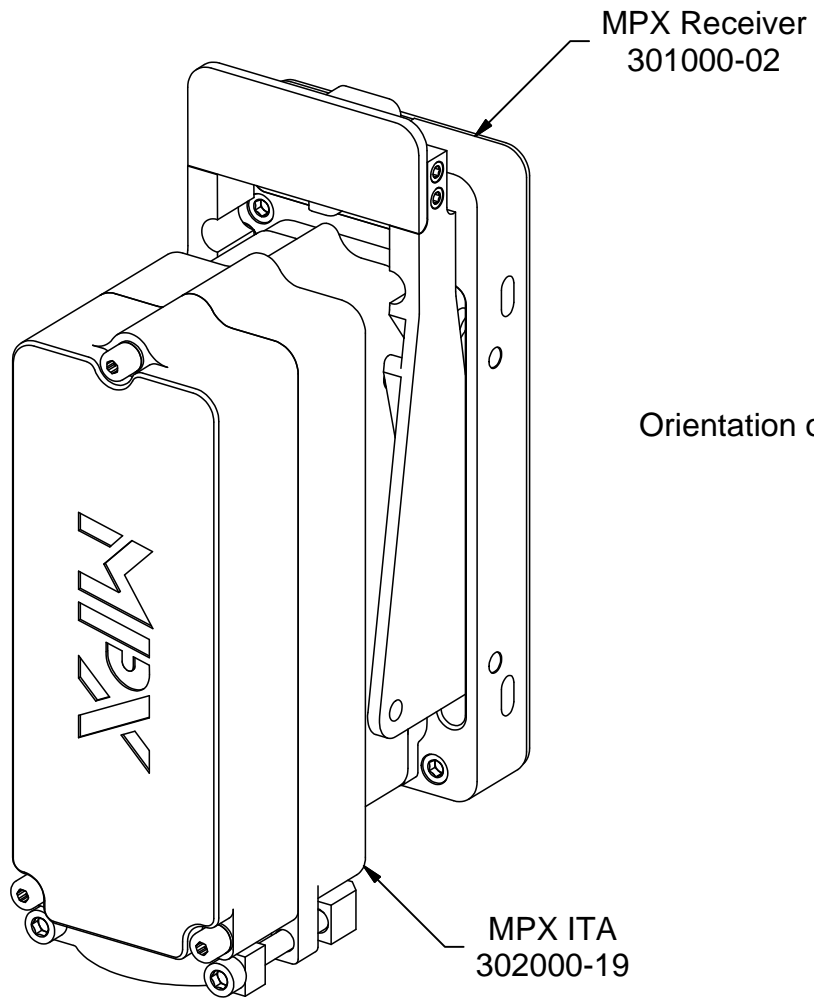
DESCRIPTION

ITA, MPX, Backshell,
Integrated clamp strain relief.

DRAWING NO.

302000-19-CU

REVISION



Orientation of 302000-19 ITA in 301000-02 MPX receiver.

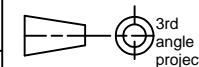
COMMENTS / NOTES

○○○○○○○
MAC-PANEL

WWW.MACPANEL.COM

DRAWN BY

DATE
 11/1/2011



3rd
 angle
 projection

SHEET

2 OF 2

DESCRIPTION

DRAWING NO.

-CU

REVISION