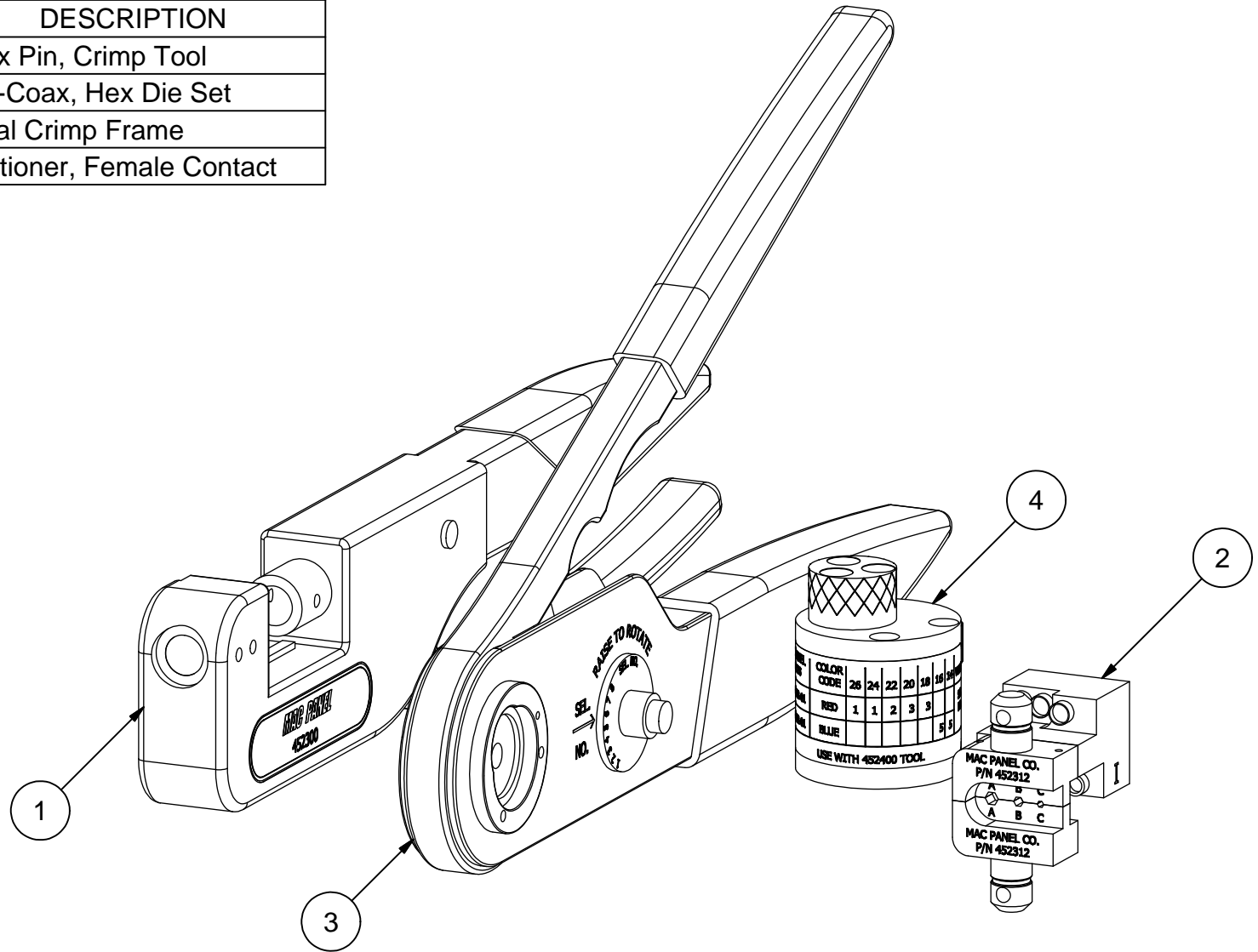


08913-03, Contents List

ITEM	QTY	PART NUMBER	DESCRIPTION
1	1	452300	Coax Pin, Crimp Tool
2	1	452312	Mini-Coax, Hex Die Set
3	1	452400	Spiral Crimp Frame
4	1	452401	Positioner, Female Contact

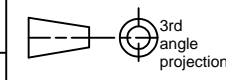


COMMENTS / NOTES

MAC-PANEL

WWW.MACPANEL.COM

DRAWN BY DATE 18/08/2008



SHEET 1 OF 1

DESCRIPTION  
**GPI Contact / Crimp Kit**

DRAWING NO. **08913-03-CU**

REVISION **A**