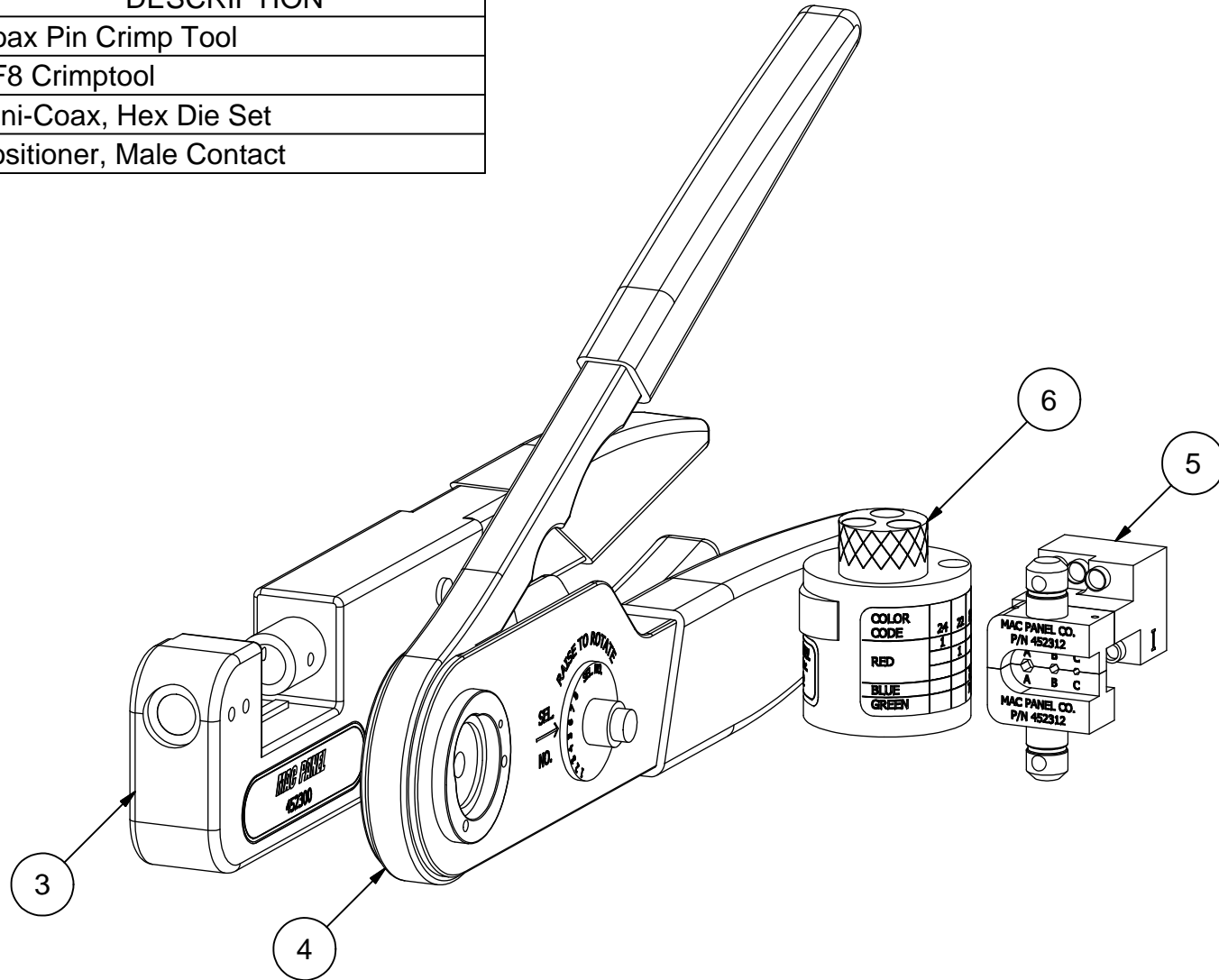


08913-02, contents list

ITEM	QTY	PART NUMBER	DESCRIPTION
3	1	452300	Coax Pin Crimp Tool
4	1	452200	AF8 Crimptool
5	1	452312	Mini-Coax, Hex Die Set
6	1	452202	Positioner, Male Contact



COMMENTS / NOTES

MAC-PANEL

WWW.MACPANEL.COM

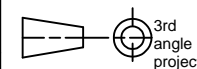
DRAWN BY

DATE

18/08/2008

DESCRIPTION

ITA Contact / Crimp Kit



3rd
angle
projection

DRAWING NO.

08913-02-CU

REVISION

B

SHEET

1 OF 1