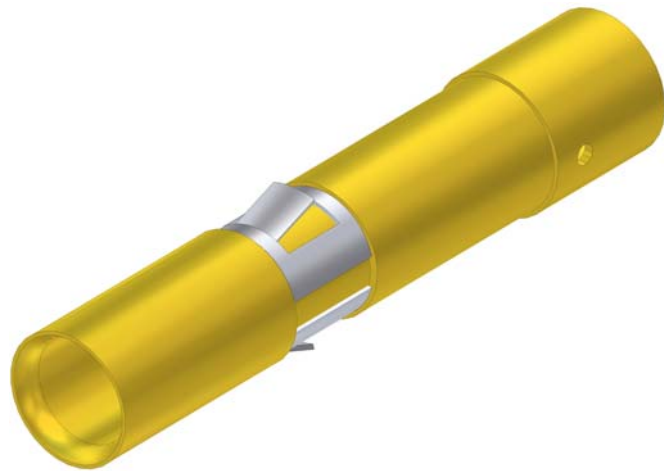
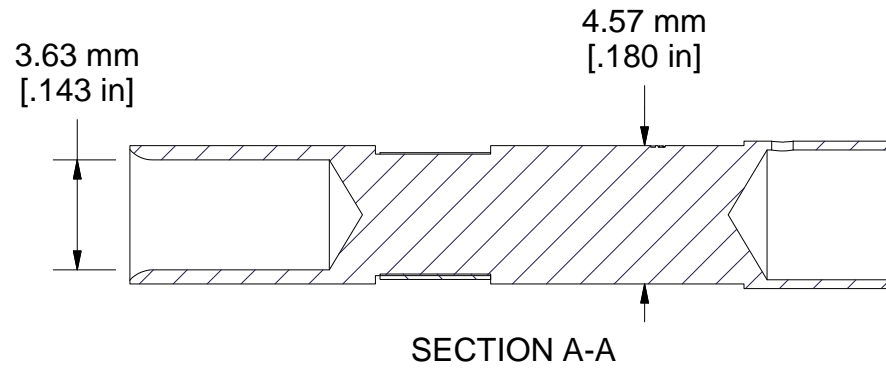
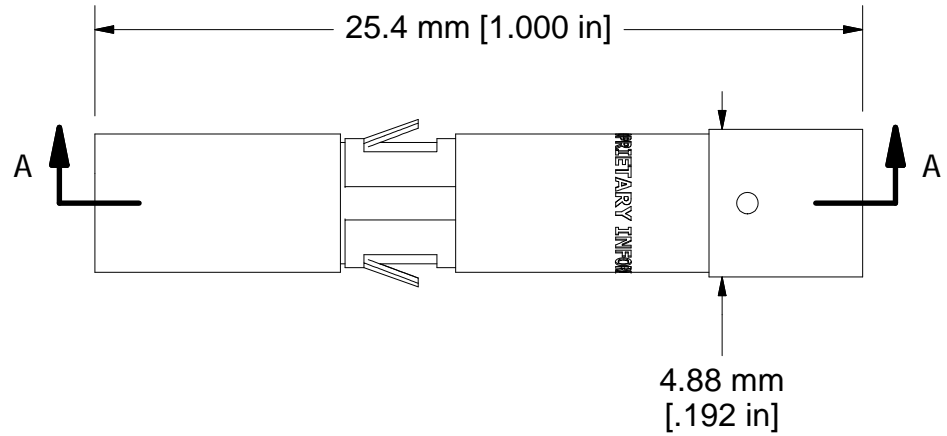


**Operating Current "Max" :** 50 Amps  
**Resistance "Max" :** 10 mOhms  
**Max Wire "AWG" :** 8  
**Material :** Brass 360  
**Plating :** 50 microinches Au over 100 microinches Ni  
**Termination :** Solder  
**Cycle Life :** 20,000



COMMENTS / NOTES	 WWW.MACPANEL.COM	DRAWN BY DC	DATE 18/09/2008	DESCRIPTION <b>Contact, Receiver, Mini Power, 50 amp</b>
	SHEET 1 OF 1		DRAWING NO. 0884011-01-CU	REVISION B