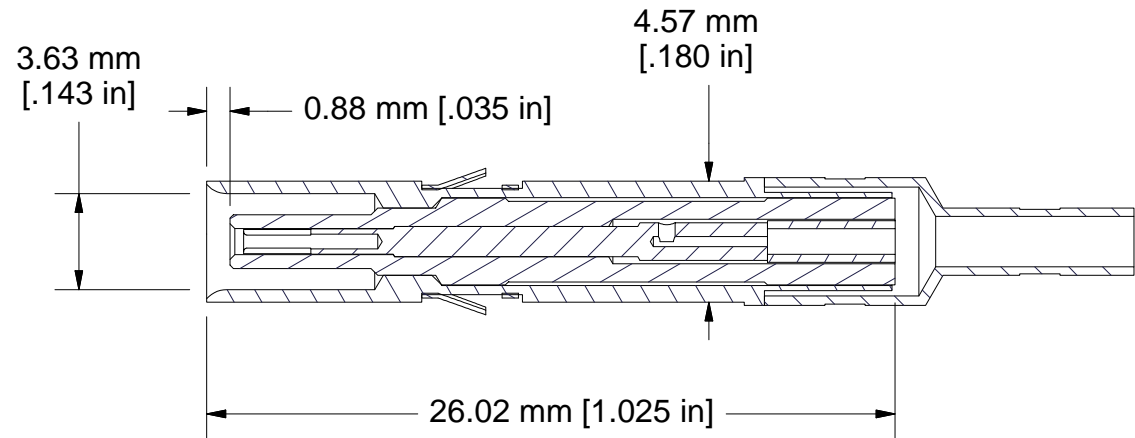
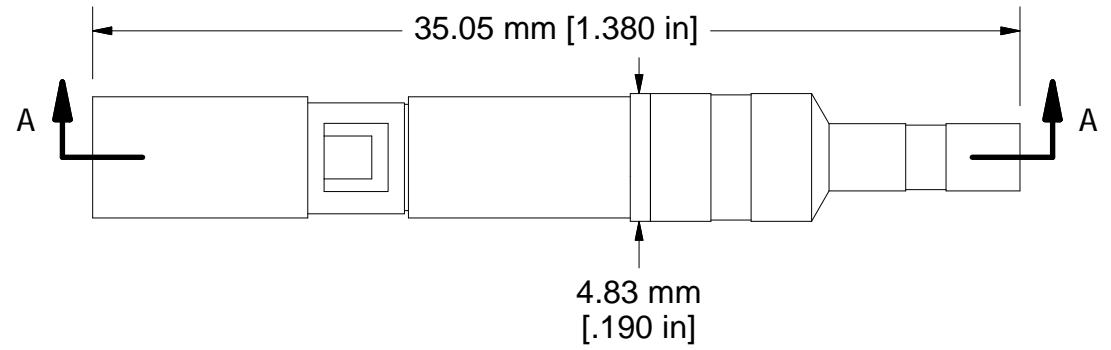


Rated Contact Frequency Range : DC - 1 GHz
Impedance : 50 Ohms
Operating Current : 0.5 Amps Max. Continuous
Dielectric Withstanding Voltage (DWV) : 1500 VDC Min.
Insertion Loss : 1.2 dB @ 1 GHz; 1.02 dB @ 500 MHz
Insulation Resistance : < 1.06 @ 1 GHz
Shield Material : Brass 360
Shield Plating : Au (Gold) over Ni (Nickel)
Center Conductor Material : BeCu
Center Conductor Plating : Au (Gold) over Ni (Nickel)
Cycle Life : 20,000
Wire Type (Max. Suggested Frequency) : RG 178 (3 GHz)



SECTION A-A



COMMENTS / NOTES		DRAWN BY DC	DATE 18/09/2008	DESCRIPTION Contact, Receiver, Mini Coax Kit, RG178 Cable
	WWW.MACPANEL.COM		DRAWING NO. 0884010-10-CU	REVISION
		SHEET 1 OF 1		