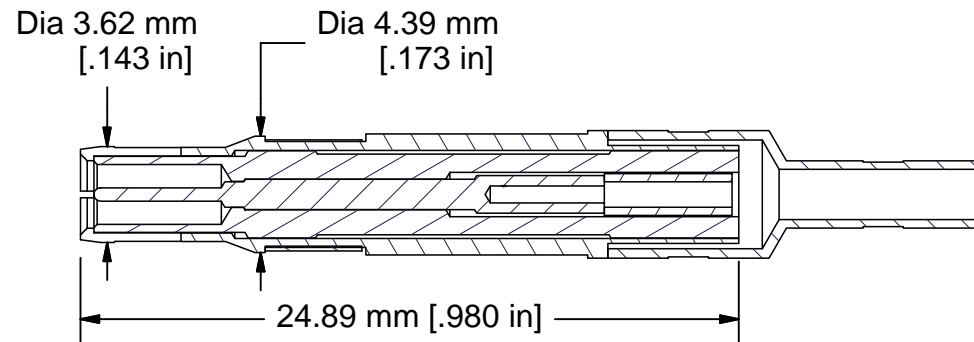
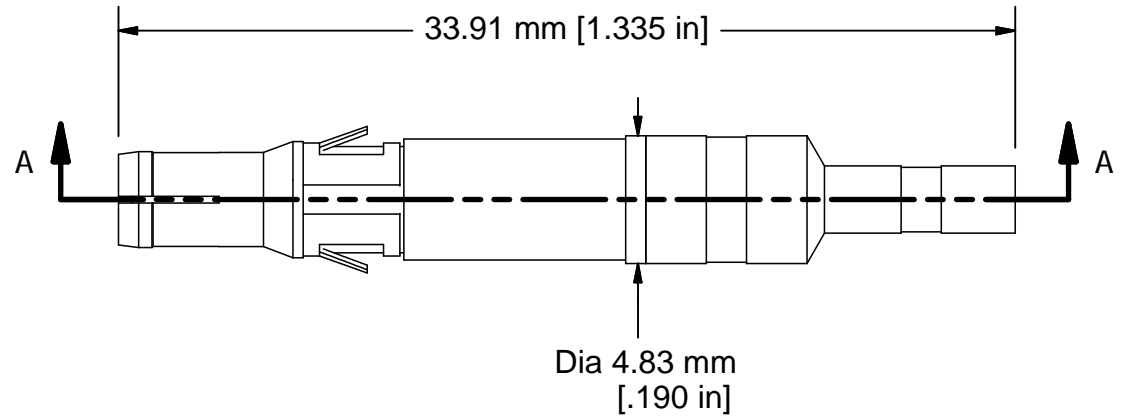


**Rated Contact Frequency Range :** DC - 1 GHz  
**Impedance :** 50 Ohms  
**Operating Current :** 0.5 Amps Max. Continuous  
**Dielectric Withstanding Voltage (DWV) :** 1500 VDC Min.  
**Insertion Loss :** 1.2 dB @ 1 GHz; 1.02 dB @ 500 MHz  
**Insulation Resistance :** 1000 Mohms  
**VSWR :** < 1.06 @ 1 GHz  
**Shield Material :** BeCu  
**Shield Plating :** Au (Gold) over Ni (Nickel)  
**Center Conductor Material :** Brass 360  
**Center Conductor Plating :** Au (Gold) over Ni (Nickel)  
**Cycle Life :** 20,000  
**Wire Type ( Max. Suggested Frequency ) :** RG 178 ( 3GHz )



SECTION A-A



COMMENTS / NOTES

○○○○○○  
**MAC-PANEL**

WWW.MACPANEL.COM

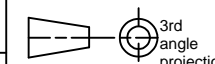
DRAWN BY

DATE

18/08/2008

DESCRIPTION

Contact, Mini-Coax, Special RG178



DRAWING NO.

0883010-08-CU

REVISION

SHEET

1 OF 1