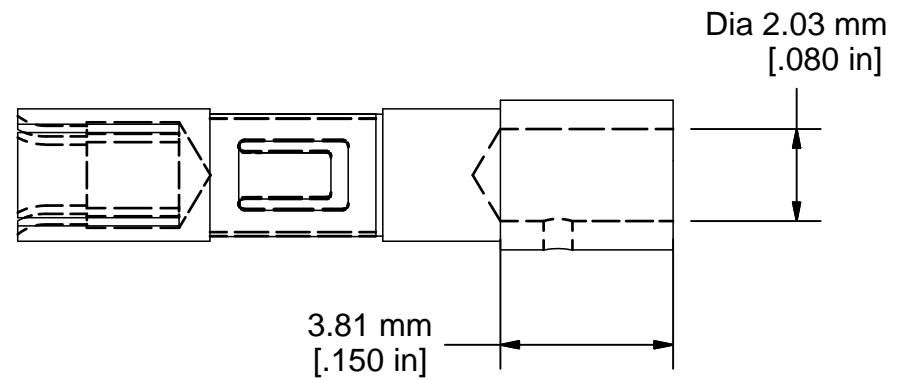
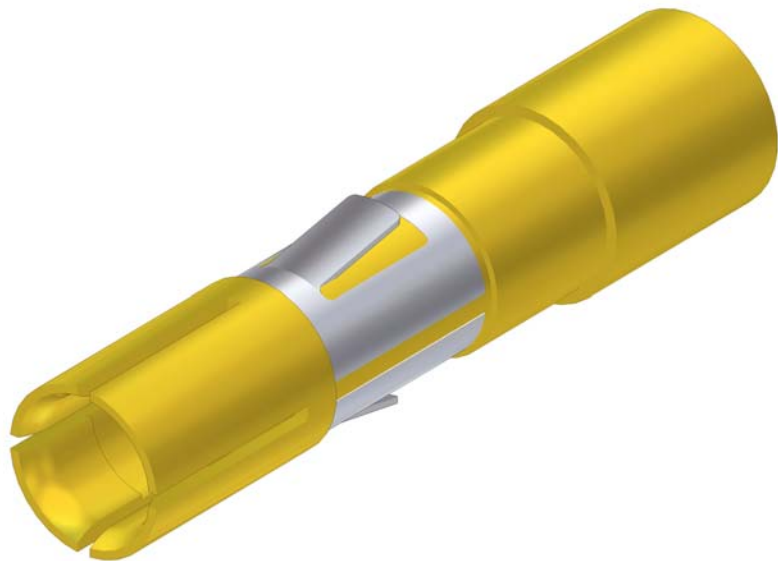
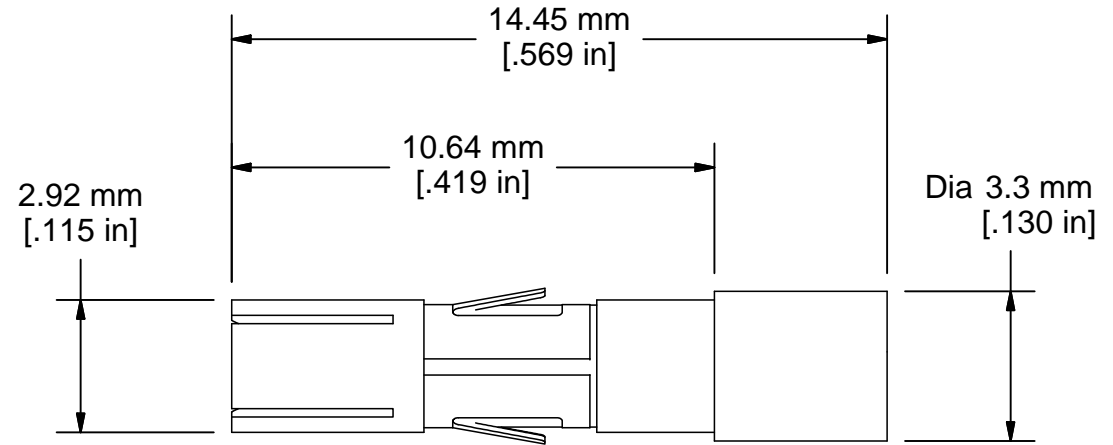


**Operating Current :** 23 Amps  
**Resistance "Max" :** 10mOhms  
**Max Wire "AWG" :** 14  
**Material :** BeCu  
**Plating :** Au (Gold) over Ni (Nickel)  
**Termination :** Solder  
**Cycle Life :** 20,000

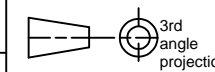


COMMENTS / NOTES

○○○○○○  
**MAC-PANEL**

WWW.MACPANEL.COM

DRAWN BY: DATE: 18/08/2008



SHEET 1 OF 1

DESCRIPTION

Contact, Micro-Power, Female

DRAWING NO. REVISION

562023-CU